



LEFROY BROOKS

1 8 2 8 T R O U T M A N S T R E E T
R I D G E W O O D N E W Y O R K N Y 1 1 3 8 5 U S A
T : + 1 (7 1 8) 3 0 2 5 2 9 2 F : + 1 (7 1 8) 3 0 2 4 1 7 7

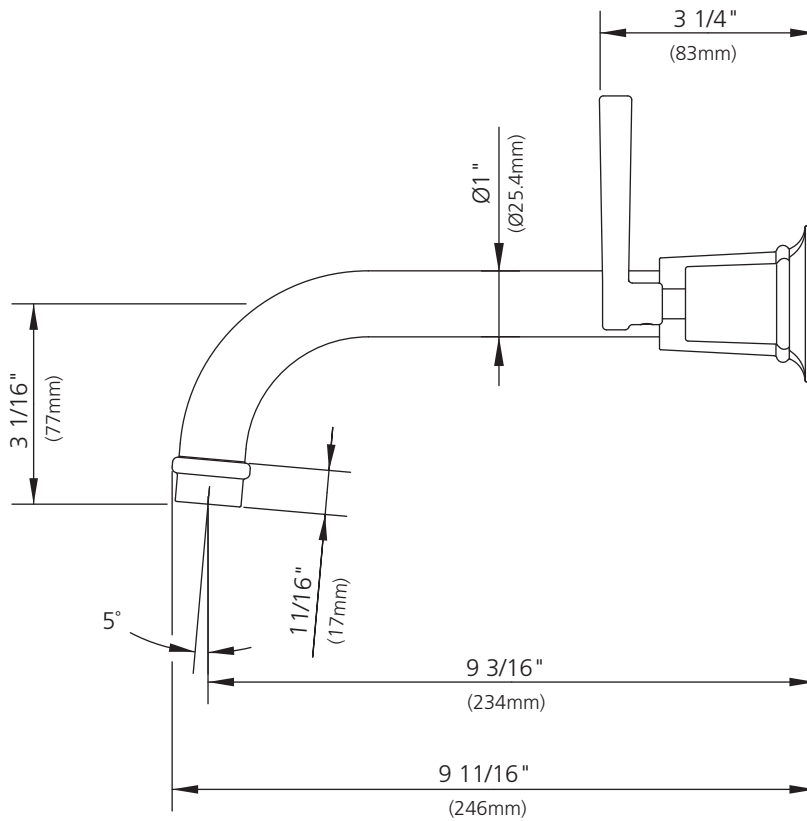
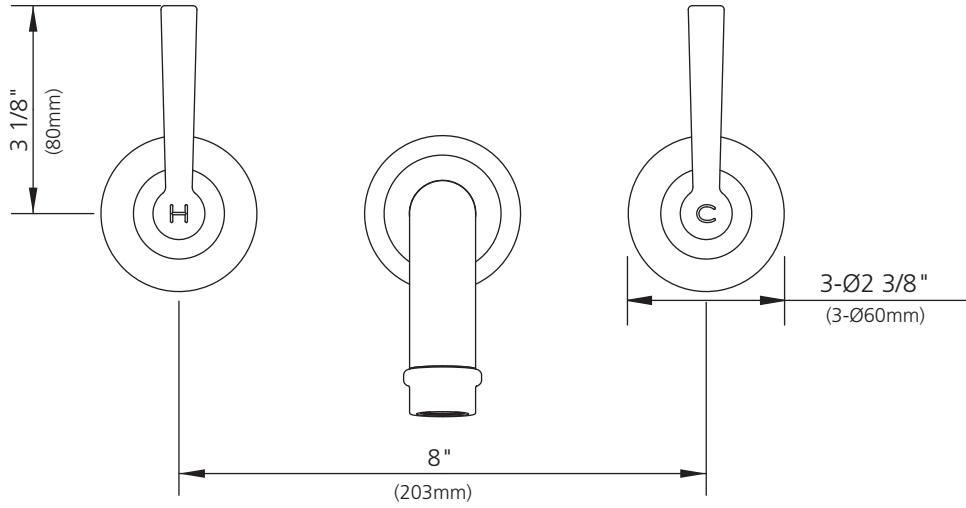
M2-2401

LEVER 3-HOLE BATH FILLER TRIM ONLY, TO SUIT R1-4018 ROUGH

DIMENSIONAL DATA SHEET

DATE: 7 May 2012

No: A66F229



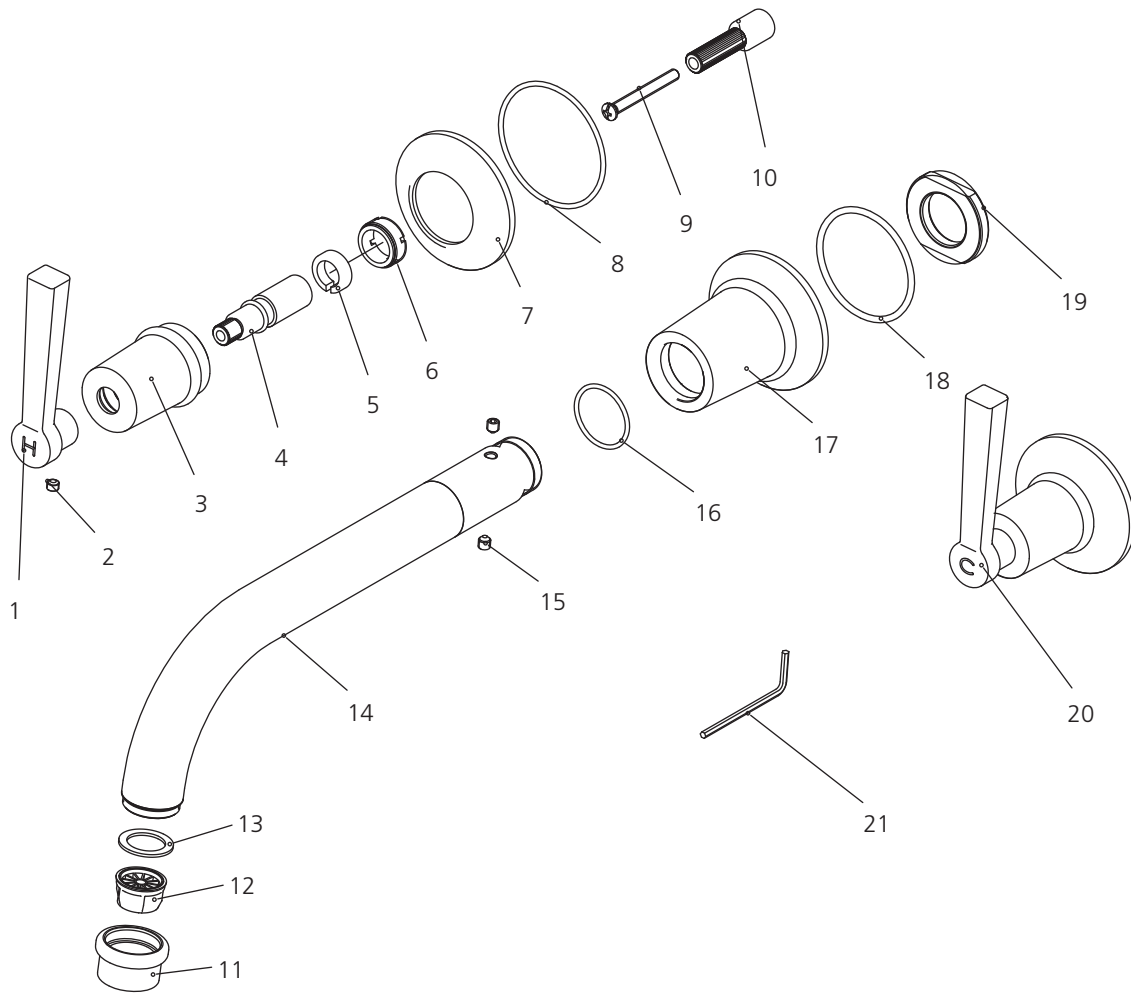
DIMENSIONS IN INCHES & MILLIMETRES

COPYRIGHT © LBIF LTD 2012. ALL RIGHTS RESERVED.

WHILST EVERY EFFORT IS MADE TO ENSURE THE ACCURACY OF THESE DATA SHEETS THEY ARE SUBJECT TO CHANGE WITHOUT NOTICE AS PART OF THE COMPANY'S PRODUCT DEVELOPMENT PROCESS

M2-2401

LEVER 3-HOLE BATH FILLER TRIM ONLY, TO SUIT R1-4018 ROUGH



1	Handle (H) (069826H)	8	O-ring (004640N)	15	Set screw (292505)
2	Set screw (292598)	9	Screw (008115)	16	O-ring (004094N)
3	Canopy (018014)	10	Stem extension (110413)	17	Canopy (000114)
4	Adaptor (067773)	11	Aerator housing (305037)	18	O-ring (004617)
5	Clip (012242)	12	Aerator insert (114237R)	19	Nut (009618)
6	Adaptor (057507)	13	Oil-seal (010899)	20	Handle (C) (069826C)
7	Escutcheon (071325)	14	Spout (139657)	21	Allen Key (031000)

Standards

IAPMO/cUPC Listed
Meets A112.18.1
ADA Compliant